

# LED Commercial Outdoor Lighting that lives up to the Kichler name – and your reputation.

## ACCENT & FLOOD LIGHTING

### Center-to-edge optics

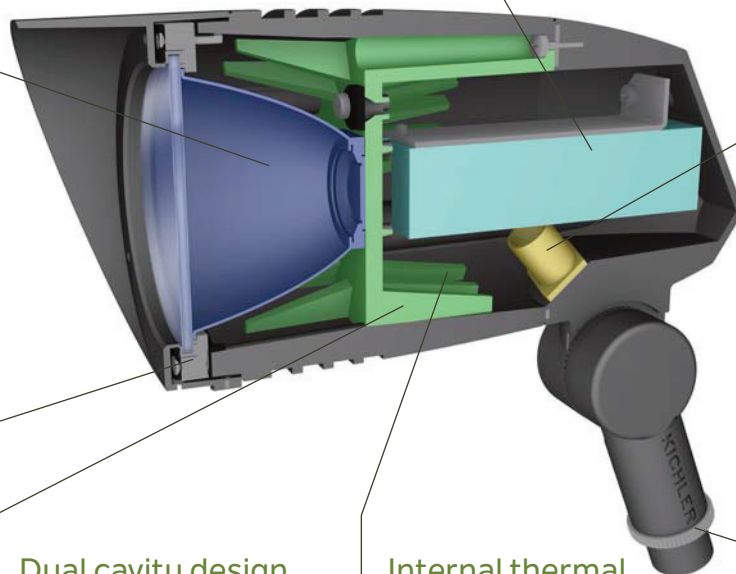
C-Series Accents and Floods offer center-to-edge optics for precise and uniform beam spread with no artifacts. In addition, each fixture is designed with 3-step binning to deliver a consistent color from fixture to fixture.

### Potted driver

is fully potted to protect against water ingress, which ensures long-lasting performance.

### Plugged knuckle cavity with strain relief

and internal cord grip system prevents movement to reinforce a secure connection at the source.



### Multi-layer front lens seal

ensures a moisture-resistant seal.

### Dual cavity design

with cast aluminum housing divided into two independent compartments to protect the optical chamber and the LED from the operating heat of the driver.

### Internal thermal management

happens with internal cast heat sinking to repel heat from the driver to maximize lifetime and performance.

### Machined threads

and lock nuts for simple installations and adjustability.

### Durable knuckle

with deep grooved teeth for stronger engagement that is less likely to wear down.



### Built-in draining

designed to prevent water from pooling on the face of the fixture.

